



SCHAERER

BARISTA

AUTOMATIC ESPRESSO

When the theatre of a traditional espresso machine meets the simplicity of an automated coffee machine, everyone can make coffee like a barista!

With its distinctive design and Italian flair, the Schaerer Barista looks and feels like a classic espresso machine, but thanks to its simple and intuitive automated operation, now everyone can be a barista! Coffee beans are ground directly into the portafilters and automatically tamped, while the machine calculates the correct extraction and brewing time. The Barista is equipped with both manual and fully automatic steam wands to create a luxurious milk foam.



INTEGRATED GRINDERS

Two integrated grinders grind just the right amount of coffee directly into the portafilter.

AIR COOLED BEAN HOPPERS

The Barista is equipped with two air cooled bean hoppers, perfect for serving two bean blends at once.



UP TO 18 DRINK RECIPES

The Barista can store up to 18 recipes, allowing you to offer a variety of coffee based drinks.

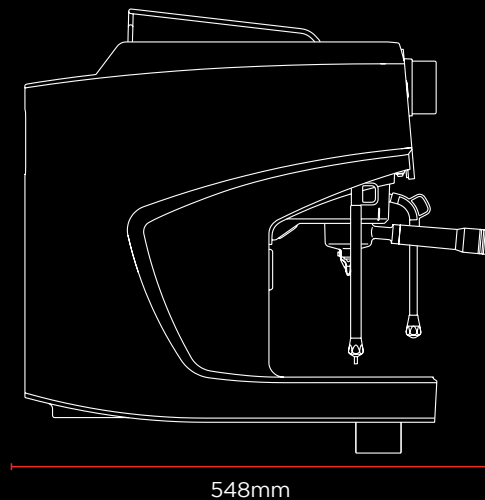
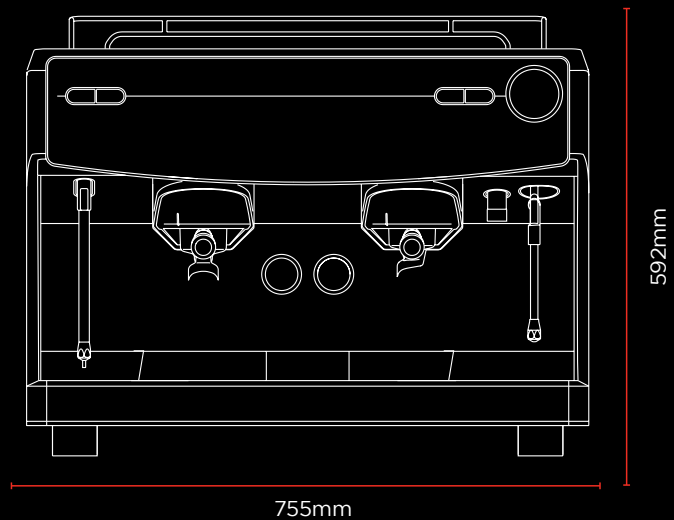
BREW TIME MONITORING

Software supported grinding and dispensing adjustments allows for consistent quality coffee.

FEATURES

Cups per day	300
Hot water per day	730ml
Adjustable cup platform	✓
Steam	✓
Touchscreen	✓
Number of programmable drinks	12
Bean hopper capacity	2 x 550g
Grinders	2
Simultaneous hot water & coffee	✓
Powersteam wand	✓
Supersteam wand	✓
Heated cup storage	✓
SteamIT cup warmer	✓

DIMENSIONS



WEIGHT



CONTACT US TODAY:

Freephone 0800 8499110 | Email sales@liquidline.co.uk | www.liquidline.co.uk